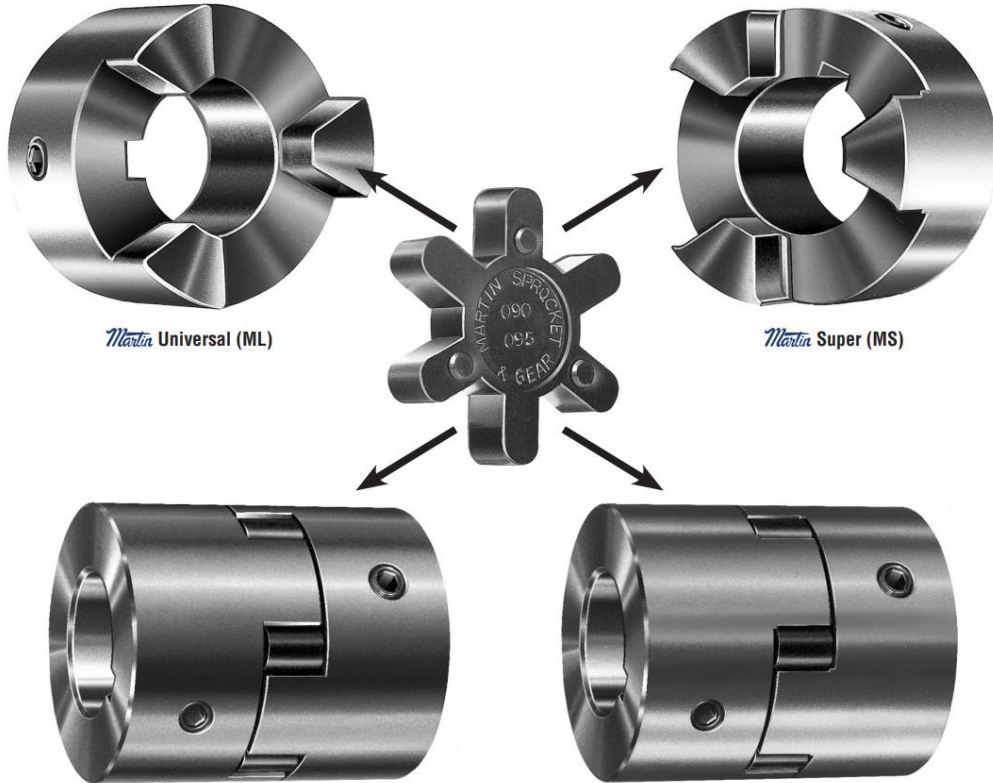




Martin

70 Flexible Jaw Couplings



Jaw Coupling Selection Procedure

- Determine Service Factor by Marching Driven Unit with Prime Mover in Service Factor Guide
- Multiply Service factor by driven unit or motor Kw. Two obtain adjusted Kw.
- Select flexible coupling with Kw. Capacity equal to or greater than adjust it Kw.

Martin ML (Universal Series) — Torque and Kilowatt Ratings

Catalog Number	Torque Rating Nm.		Bruna-N Kilowatt Capacity at Various RPM									Max Bore	Weight (kg) (Each)
	Bruna-N	Hytrel*	100	300	720	960	1200	1440	1800	2880	3600		
035*	0,46		,005	,01	,04	,05	,05	,07	0,1	,14	0,18	9,5	,03
050	3,51	10,7	,037	,11	,26	,35	,45	,53	,7	1,05	1,3	15,9	,06
070	5,77	14,2	,06	,16	,43	,58	,63	,87	,9	1,73	5,17	19,1	,11
075	11,94	27,3	,125	,29	,90	1,20	1,16	1,80	1,7	3,61	4,51	22,2	,20
090	19,6	47,5	,201	,49	1,44	1,93	1,97	2,89	3,0	5,78	7,22	28,6	,31
095	25,8	64,1	,27	,67	1,95	2,59	2,7	3,89	4,0	7,78	9,73	28,6	,38
100	46,4	141,0	,58	1,5	4,18	5,58	5,9	8,36	8,9	16,73	20,91	34,9	,67
110	89,0	256,2	1,10	2,7	7,94	10,59	10,7	15,88	16,1	31,77	39,71	41,3	1,45
150	141,0	405,7	1,50	4,3	11,23	14,98	17,0	22,35	25,5	44,70	51,0	47,6	2,04
190	190,0	512,5	2,01	5,4	15,07	20,09	21,5	30,14	32,2	60,28	64,4	54,0	3,74
225	265,0	768,7	2,76	8,1	21,09	28,13	32,2	21,40	48,3	82,80	96,6	66,7	5,44

NOTE: Above Kw. capacities are for Bruna-N rubber spider and service factor of one. When Hytrel spider is used multiply capacities by three.

* Available From U.S.A. Only.

